

Cinebot[®] MINI

CRANES & RIGS

PORTABLE, USER-FRIENDLY CINEBOT



PAYLOAD
CAPACITY (KG)



MAXIMUM
REACH (M)

PUSH MOCO CONTROL
CREATE MOVES BY HAND

**FULL CONTROL OF
FOCUS, ZOOM & IRIS**
& TARGET TRACKING

DIFFERENT RISER
HEIGHT OPTIONS

SINGLE PHASE
STANDARD MAINS POWER
+ BATTERY UNIT OPTION

MOVES 2M/S
ON TRACK



The Cinebot Mini is a compact motion control robot designed for high-end live-action shooting. Users can create moves by hand using PushMoco[®], or opt for more precise control with Flair. It's user-friendly, portable, and can fit through standard doorways or be attached to a dolly, simplifying shooting in various settings, on location, or in a studio — all while delivering professional-level motion control.



A Nikon Company

MRMC
MARK ROBERTS MOTION CONTROL

Cinebot Mini SPECIFICATIONS



MANUAL CONTROL

Users can manually point and record camera positions, providing simple control over camera movements.



LIGHTWEIGHT & FLEXIBLE

Light & portable, able to pass through standard doorways & has Moy mount fitting.



SMARTPHONE INPUT

Moves can be recorded or inputted directly from a mobile phone, offering flexibility and convenience in controlling the robot.



CAN RUN ON A BATTERY

Optional Battery Power Unit. Up to 10 hours of shooting (subject to payload, usage and speeds).



REPEATABLE

Every camera move under complete control – precisely repeatable.



TARGET TRACKING

Define location of your object in space, to simplify any complex move.



TRACK & PEDESTAL OPTION

Available on track or pedestal. Optional pedestal heights or track for an additional axis of movement.



LENS CONTROL

Precise control of zoom, iris & lens.

OPERATING ENVELOPE

Maximum Height (from ground)	2m / 6'5"
Lowest Position	0m / 0'
Maximum reach (from rotate centre)	1.3m / 4'2"

RIG PERFORMANCE

Arm Arc move	2.7m/s max. speed at camera
Arm combined with track	4.7m/s max. speed at camera
Track	2m/s (1.8m track lengths)
Base Rotate	+/- 360° 120°/s
Shoulder Lift	+/- 360° 120°/s
Elbow	+/- 360° 180°/s
Pan	+/- 360° 180°/s
Tilt	+/- 360° 180°/s
Roll	+/- 360° 180°/s

TRACK & RISER SPECIFICATIONS

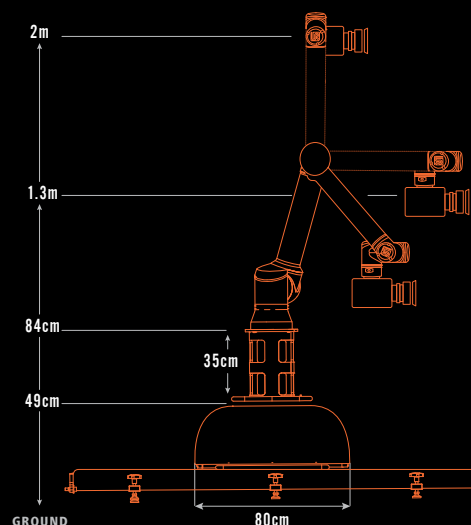
Track width	61cm wide
Track Weight (1.8m length)	27kg / 59lbs
Track Weight (1.2m length)	17kg / 37lbs
Standard Riser	35cm / 13.7 inches
Optional Large Riser	49cm / 19.6 inches

WEIGHTS

Cinebot Mini Arm Weight	33kg / 73lbs
Cinebot Mini Base Weight	37.5kg / 83lbs
Maximum Camera Payload	10kg / 22lbs

POWER SPECIFICATIONS

Power Requirements	110 - 240 VAC
Optional Battery Unit	3600 Wh



MARK ROBERTS MOTION CONTROL

MARK ROBERTS MOTION CONTROL

TELEPHONE: +44 (0)1342 838000

EMAIL: info@mrmoco.com

www.mrmoco.com/cinebotmini

A Nikon Company

